

# GE

## Energy Connections

# Model 460

## Voltage Transformer

### Application

60 Hz.

### Standard Secondary Voltage

120 Volts.

### Insulation Level

600 Volt, 10 kV BIL full wave.

### Accuracy Class:

0.6 W, 1.2 X at 60 Hz.

### Thermal Rating:

150 VA at 30 °C. amb.  
100 VA at 55 °C. amb.

Terminals are brass studs No. 10-32 with one lockwasher, flatwasher and regular nut.

Approximate weight 7.75 lbs.



#### REGULATORY AGENCY APPROVALS



E93779



LR89403

Manufactured to meet the requirements of ANSI/IEEE C57.13.  
Classified by U.L. in accordance with IEC 44-1

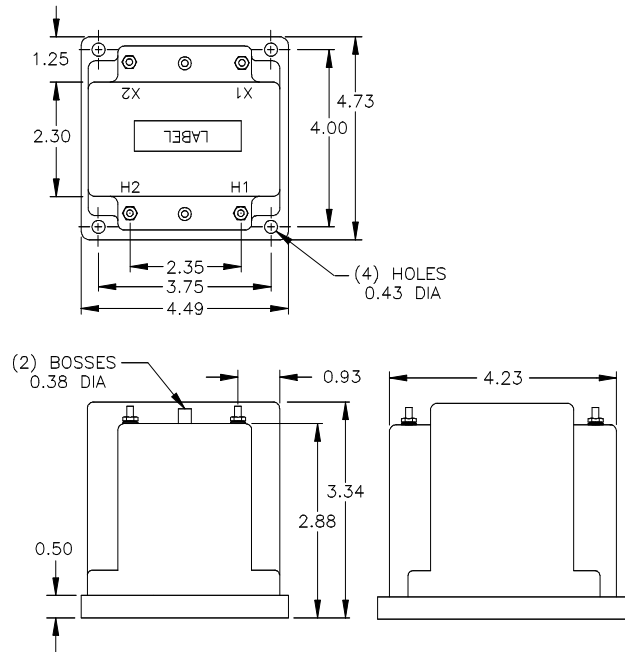
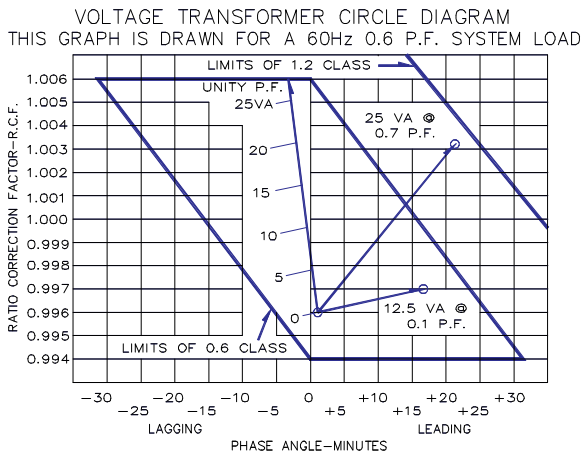
### Model 460

Catalog Number	Voltage Ratio	Turns Ratio	Rec. Primary Fuse rating
460-069	69.3:120	0.58:1	5.0
460-120	120:120	1:1	4.0
460-208	208:120	1.73:1	2.0
460-240	240:120	2:1	2.0
460-277	277:120	2.31:1	2.0
460-288	288:120	2.4:1	1.5
460-300	300:120	2.5:1	1.5
460-346	346:120	2.88:1	1.5
*460-480	*480:120	4:1	1.0
*460-600	*600:120	5:1	0.75



## Model 460

- The core and coil assembly is encased in a thermoplastic shell and filled with resin.
- These transformers are designed for operation line-to-line. They may also be operated line -to-ground or line-to-neutral at reduced voltage voltage, (58% of rated volts).
- It is desirable to use a 1.6 amp fuse in the secondary to protect the transformer.
- With two exceptions these transformer are ANSI C57.13 group 1. Those marked \* are group 2.
- Models designed specifically for 50Hz operation are available with reduced performance. Consult factory for details.
- This page contains a circle diagram for the estimation of the errors for other than rated burdens. See page 27 in this section for a description of its use.
- Each transformer has two plastic terminal cover.



Grid-AIS-L4-ITL\_Model\_460-1414-2017\_05-EN. General Electric Company and Instrument Transformers LLC reserve the right to change specifications of described products at any time without notice and without obligation to notify any person of such changes.

